

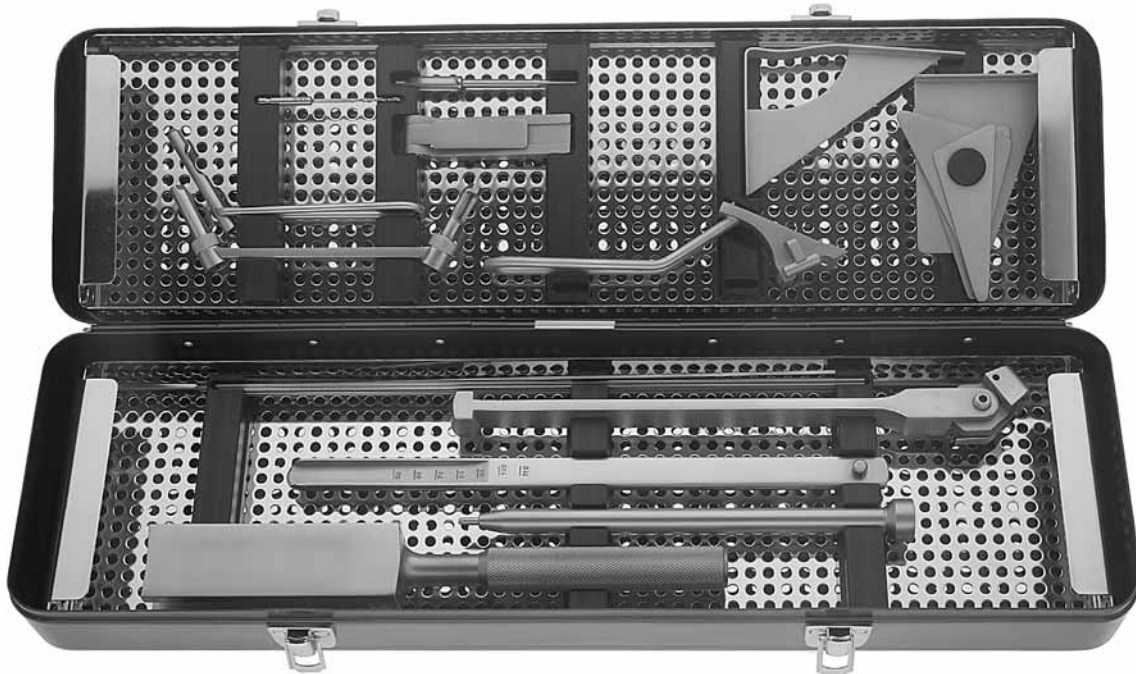


**Hip Nails, Angled Plates, Dynamic Hip Screws
ETS-System**



TREU = INSTRUMENTE

Instrument Set for Angled Plates Alu Case



- T 200** Instrument Set for Angled Plates
- T 111** Aluminium Case
- T 201** Upper Tray
- T 202** Lower Tray

- 9-294** Triple Drill Guide, fixed angle 130°
- 9-264** Drill Guide round hole plates, long
- 9-300** Reamer with end for quick coupling
- 9-296** Chisel Guide, adjustable angle
- 9-308** Seating Chisel
- 9-306** Inserter-Extractor
- 9-304** Slotted Hammer
- 9-298** Impactor
- 9-314** Triangular Positioning Plate 80°/70°/30°
- 9-312** Triangular Positioning Plate 100°/60°/20°
- 9-310** Quadrangular Positioning Plate 110°/90°/90°/70°
- 9-302** Condylar Plate Guide
- 9-290** Neutral and Load Hip Drill Guide, long
- 7-127** Kirschner Wire \varnothing 2.0 mm, 310 mm long, 10 pieces

- 9-014** Drill Bit \varnothing 2.0 mm
- 9-316** Triangular Positioning Plates 90°/50°/40°



TREU = INSTRUMENTE

Instruments for Angled Blade Plates



9-294 Triple Drill Guide with fixed angle 130°



9-264 Drill Guide round hole plates, long



9-300 Reamer with end for quick coupling



9-296 Chisel Guide adjustable angle



9-306 Inserter Extractor



9-308 Seating Chisel



9-304 Slotted Hammer



9-298 Impactor

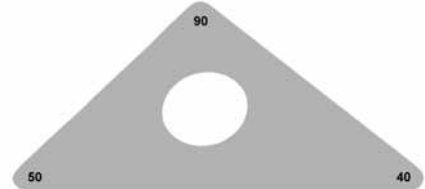


TREU = INSTRUMENTE

Instruments for Angled Blade Plates



9-314 Triangular Positioning Plate 80°/70°/30°



9-316 Triangular Positioning Plate 90°/50°/40°



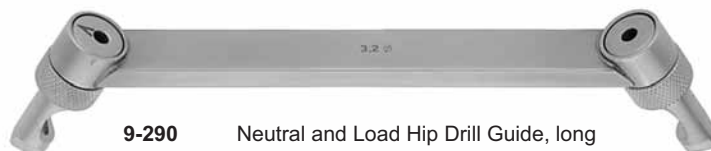
9-312 Triangular Positioning Plate 100°/60°/20°



9-310 Quadrangular Positioning Plate 110°/90°/90°/70°



9-302 Condylar Plate Guide



9-290 Neutral and Load Hip Drill Guide, long

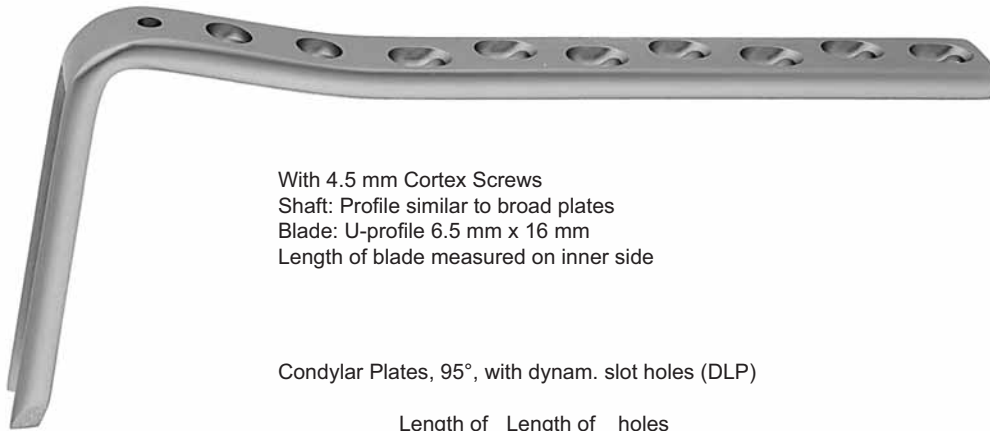


TREU = INSTRUMENTE



Femoral Neck Plates, 130°
With one round hole
For a 4.5 mm Cortex Screw

	Blade Length
2-100	70 mm
2-102	75 mm
2-104	80 mm
2-106	85 mm
2-108	90 mm
2-110	95 mm
2-112	100 mm
2-114	105 mm
2-116	110 mm



With 4.5 mm Cortex Screws
Shaft: Profile similar to broad plates
Blade: U-profile 6.5 mm x 16 mm
Length of blade measured on inner side

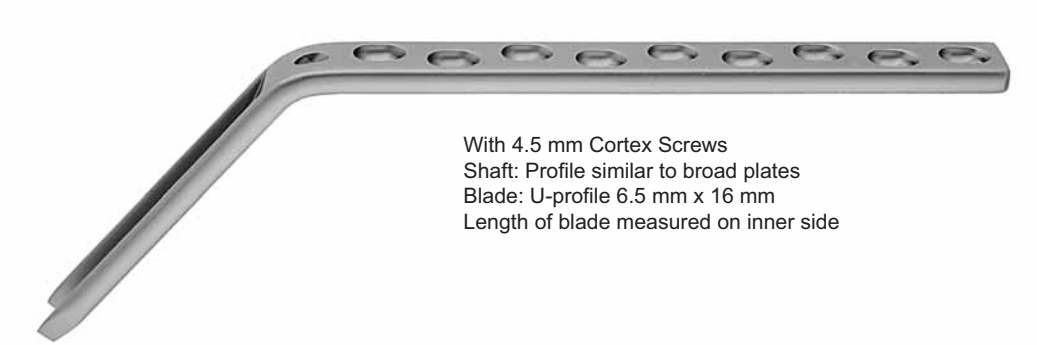
Condylar Plates, 95°, with dynam. slot holes (DLP)

	Length of blades	Length of plates	holes
2-120	50 mm	92	5
2-122	60 mm	92	5
2-124	70 mm	92	5
2-126	80 mm	92	5
2-128	50 mm	124	7
2-130	60 mm	124	7
2-132	70 mm	124	7
2-134	80 mm	124	7
2-136	50 mm	156	9
2-138	60 mm	156	9
2-140	70 mm	156	9
2-142	80 mm	156	9
2-144	50 mm	204	12
2-146	60 mm	204	12
2-148	70 mm	204	12
2-150	80 mm	204	12



TREU = INSTRUMENTE

Angled Blade Plates for Pertrochanteric Fractures



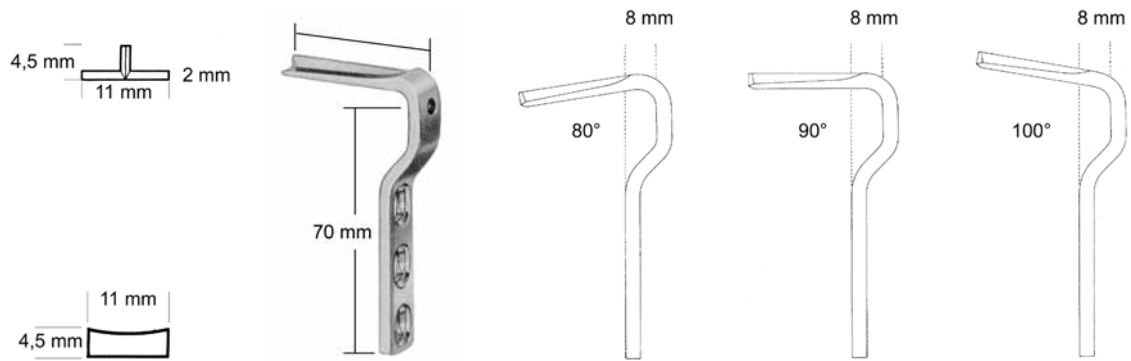
With 4,5 mm Cortex Screws
 Shaft: Profile similar to broad plates
 Blade: U-profile 6.5 mm x 16 mm
 Length of blade measured on inner side

Angled Blade Plate, 130°, dynamic slot holes (DLP)

	Length of blades	Length of plates	holes
2-160	50 mm	75	4
2-162	60 mm	75	4
2-164	70 mm	75	4
2-166	75 mm	75	4
2-168	80 mm	75	4
2-170	85 mm	75	4
2-172	90 mm	75	4
2-174	95 mm	75	4
2-176	100 mm	75	4
2-178	105 mm	75	4
2-180	50 mm	104	6
2-182	60 mm	104	6
2-184	70 mm	104	6
2-186	80 mm	104	6
2-188	90 mm	104	6
2-190	70 mm	152	9
2-192	80 mm	152	9
2-194	90 mm	152	9
2-196	70 mm	200	12
2-198	80 mm	200	12
2-200	90 mm	200	12



TREU - INSTRUMENTE



Length of Blade	Bogentiefe	80°	90°	100°
35 mm	8 mm	2-222	2-226	2-230
45 mm	8 mm	2-224	2-228	2-232



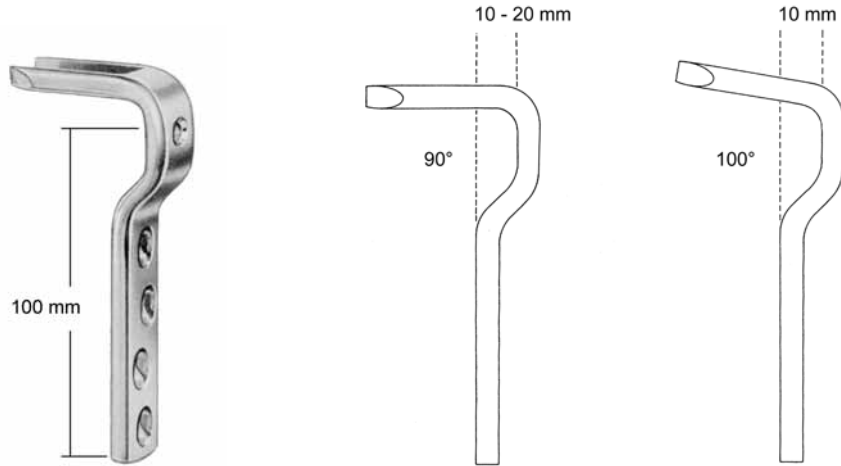
Length of Blade	Bogentiefe	90°
25 mm	7 mm	2-236
32 mm	7 mm	2-238
25 mm	12 mm	2-240
32 mm	12 mm	2-242



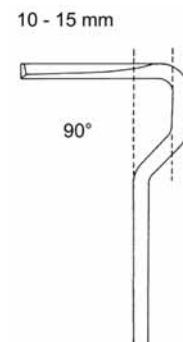
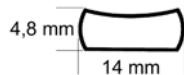
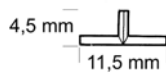
9-307 Inserter / extractor for Bifurcated Infant Osteotomy Plates,
for use Cat. No.: 2-222 to 2-232 and 2-236 to 2-242



TREU - INSTRUMENTE



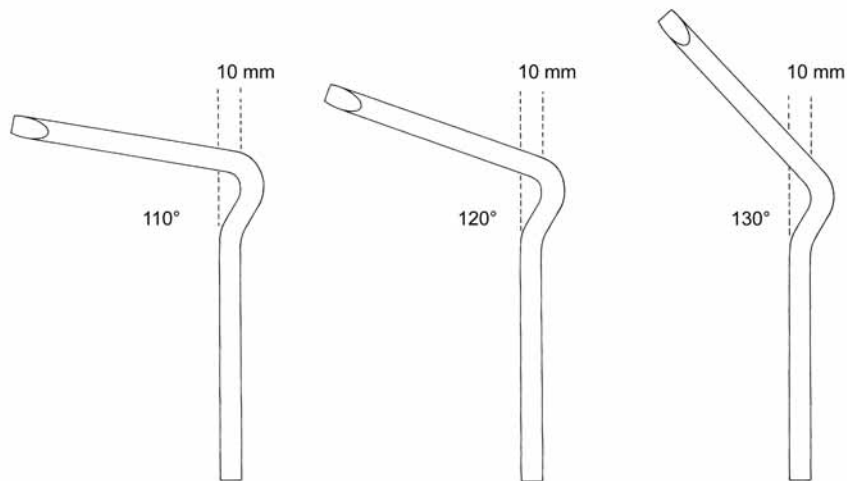
Length of Blade	Bogentiefe	90°	100°
40 mm	10 mm	2-244	
50 mm	15 mm	2-245	
60 mm	15 mm	2-246	
60 mm	20 mm	2-247	
60 mm	10 mm		2-249



Length of Blade	Bogentiefe	90°
40 mm	10 mm	2-250
50 mm	10 mm	2-252
40 mm	15 mm	2-254
50 mm	15 mm	2-256



TREU = INSTRUMENTE



Length of Blade	110°	120°	130°
65 mm	2-266	2-260	2-272
70 mm			2-273
75 mm	2-268	2-262	2-274
80 mm			2-275
85 mm	2-270	2-264	2-276
90 mm			2-277
95 mm			2-278
100 mm			2-279
105 mm			2-280
110 mm			2-281



TREU - INSTRUMENTE

Additional instruments available for intertrochanteric osteotomies in adolescents and children



9-320 Seating Chisel



9-322 Seating Chisel



9-324 Inserter for Adolescent and Child Hip Plates

Positioning Plates



9-325
Triangular for children
90° / 50° / 40°



9-326
Triangular for children
80° / 70° / 30°



9-327
Triangular for children
110° / 60° / 10°

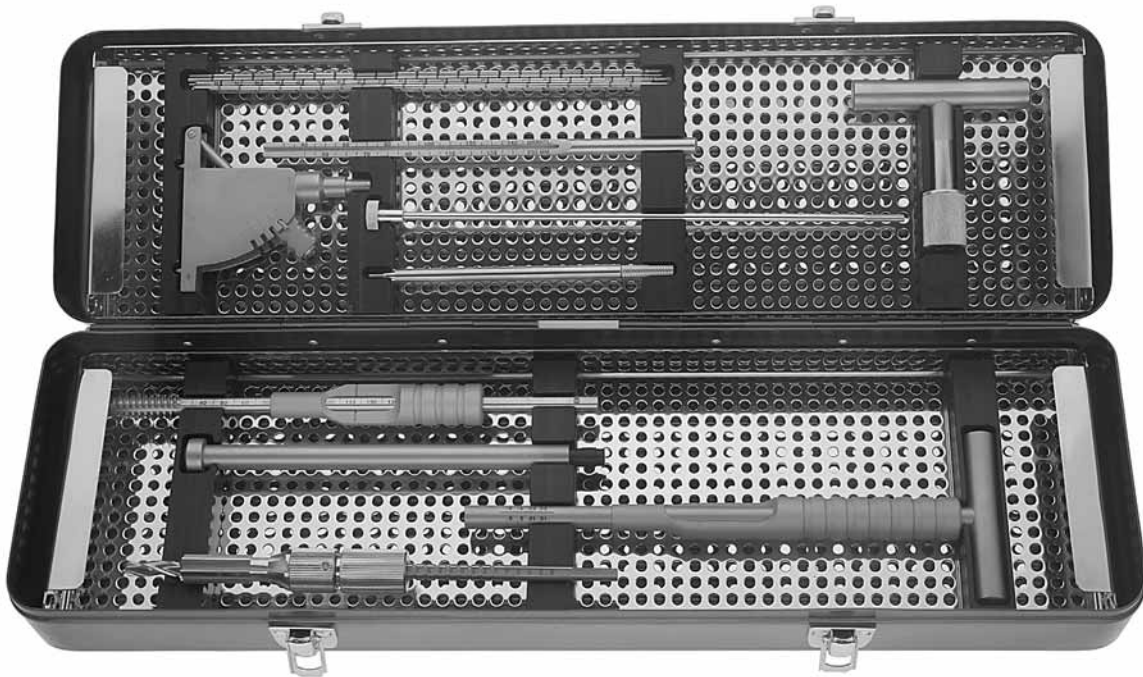


9-328
Quadrangular for children
110° / 90° / 90° / 70°



TREU = INSTRUMENTE

Instrument Set for Dynamic Hip Screw



- | | |
|--------------|--|
| T 230 | Instrument Set for Dynamic Hip Screw |
| T 111 | Aluminium Case |
| T 231 | Upper Tray |
| T 232 | Lower Tray |
| 2-300 | Guide Pin \varnothing 2.5 mm length 230 (10 units) |
| 2-302 | Drill Guide |
| 2-304 | Measuring Gauge |
| 2-306 | Triple Reamer, complete |
| 2-308 | Tap |
| 2-310 | Guide Sleeve |
| 2-312 | Guide Sleeve, long |
| 2-314 | Guide Shaft for Insertion of Coupling Screws |
| 2-316 | Coupling Screw |
| 2-317 | Guide Shaft (2 units) |
| 2-318 | Wrench |
| 2-320 | Impactor |
| 2-322 | Handle |



TREU = INSTRUMENTE

Standard Instrument Set for Dynamic and Condylar Screws and Plates in Graphic Case

Listing: T 233 Standard Instrument Set for Dynamic Hip and Condylar Screws and Plates



T 234 Tray for Instrument Set, Dynamic Hip and Condylar Screws and Plates (Steel)



15-1010 Sterilization Container
(recommended)



Standard Instrument Set for Dynamic and Condylar Screws and Plates in Graphic Case

- Listing:** **T 233** **Standard Instrument Set for Dynamic Hip and Condylar Screws and Plates**
- T 234** Tray for Instrument Set, Dynamic Hip and Condylar Screws and Plates (Steel)

Cat. No.:		Pcs.:
2-300	Calibrated Threaded Guide Pin Dia. 2.5mm x 230 mm Length, Threaded Length 10 mm	10
2-302	Drill Guide adjustable to 125° / 130° / 135° / 140° / 145° / 150°	1
2-304	Measuring Gauge	1
2-306	Triple Reamer complete for Dynamic Hip Plate System	1
2-308	Tap	1
2-310	Guide Sleeve, short, for tapping	1
2-312	Guide Sleeve, long, for screwing in of Lag Screws	1
2-314	Guide Shaft for Insertion of Coupling Screws	1
2-316	Coupling Screw for Femoral Dynamic Hip Screws	1
2-317	Guide Shaft	1
2-318	Wrench	1
2-320	Impactor	1
2-322	Handle	1
2-486	Drill Guide 95°	1
2-488	Triple Reamer complete for Dynamic Condylar System	1



TREU - INSTRUMENTE



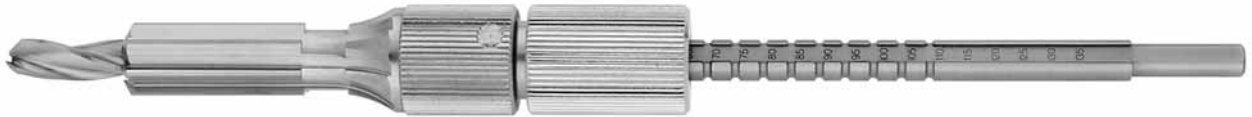
2-300 Calibrated Threaded Guide Pin
ø 2.5 mm 230 mm length, 10 mm Thread



2-302 Drill Guide adjustable
to 135°/140°/145°/150°



2-304 Measuring Gauge



2-306 Triple Reamer complete



2-308 Tap



2-310 Guide Sleeve, short, for tapping



2-312 Guide Sleeve, long, for screwing in of the lag screws



TREU - INSTRUMENTE



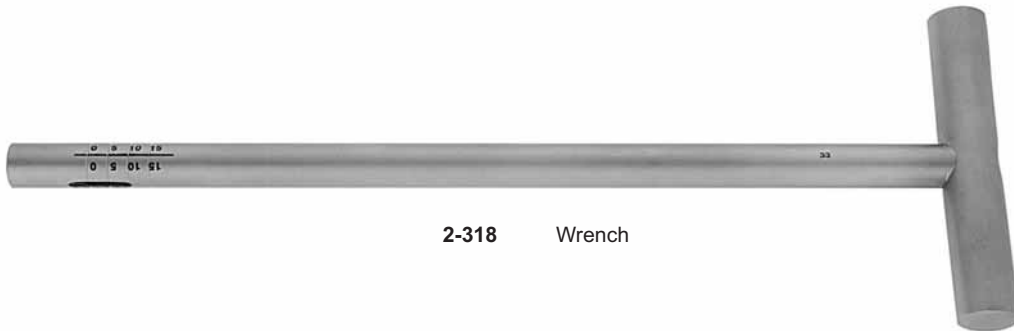
2-314 Guide Shaft for Insertion of Coupling Screws



2-316 Coupling Screw for Femoral Dynamic Hip Screw



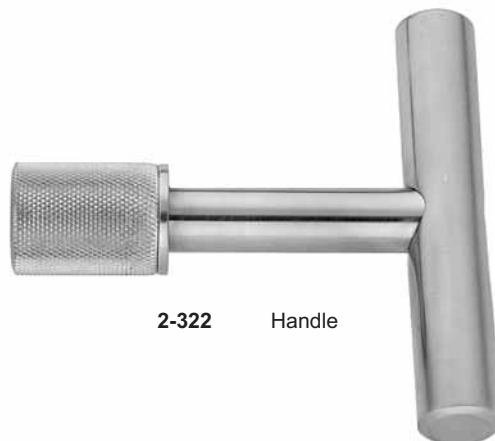
2-317 Guide Shaft



2-318 Wrench



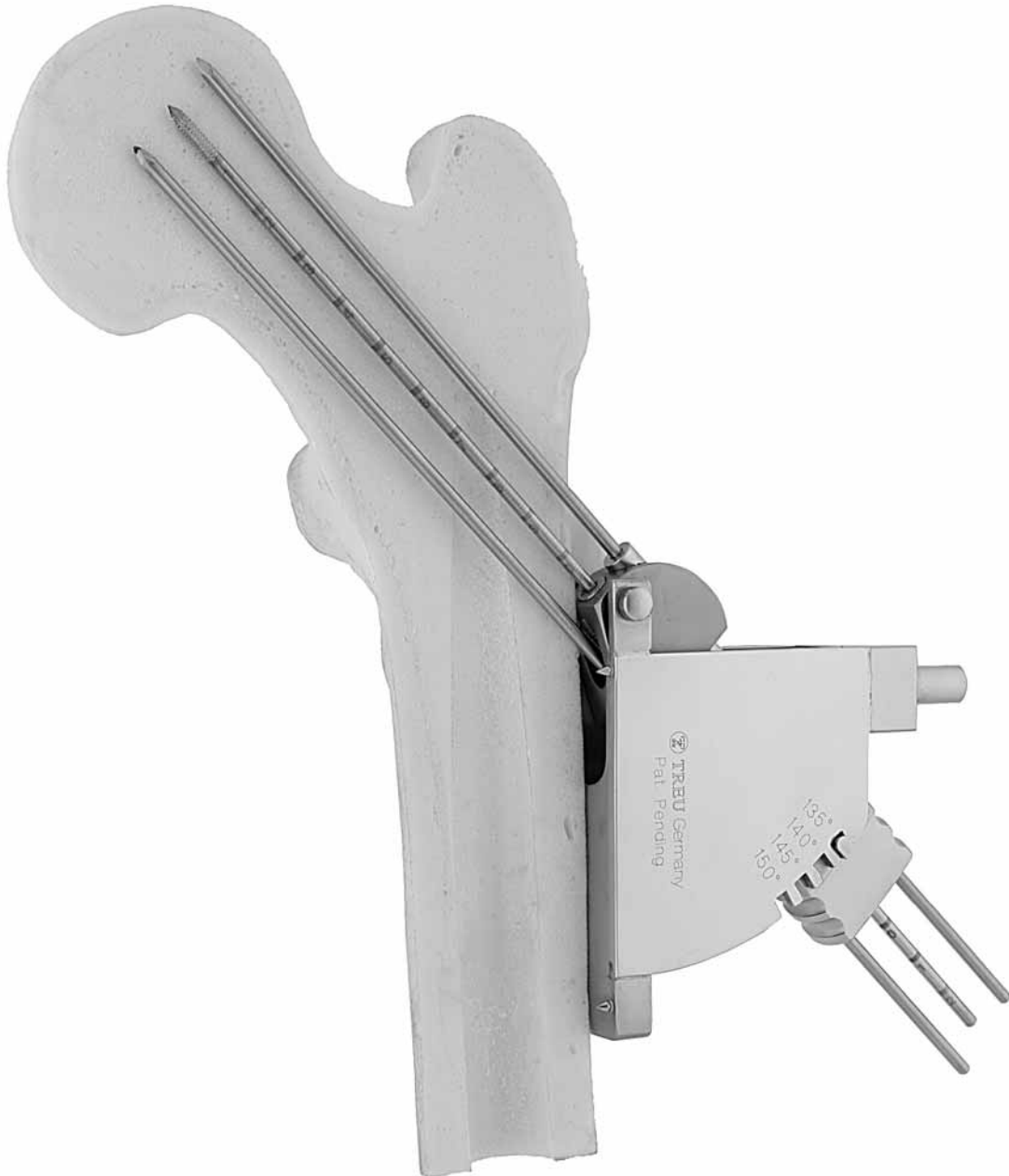
2-320 Impactor



2-322 Handle



TREU - INSTRUMENTE



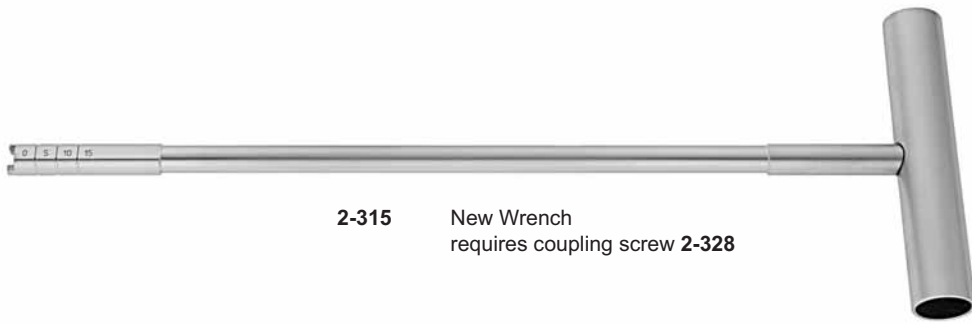
2-332 Drill Guide, adjustable to 135°/140°/145°/150° for three guide wires



TREU = INSTRUMENTE



2-313 New Guide Sleeve



2-315 New Wrench
requires coupling screw **2-328**



2-328 New Coupling Screws



2-319 New Impactor



Dynamic Hip Screw Standard Implant Set in Graphic Case

Listing: T 2400 Dynamic Hip Screw Standard Implant Set
(Steel Plates in Mat. DIN ISO 5832-1)



T 2410 Tray for Dynamic Hip Screw Standard Implant Set (Steel)



15-1010 Sterilization Container
(recommended)



Dynamic Hip Screw Standard Implant Set in Graphic Case

**Listing: T 2400 Dynamic Hip Screw Standard Implant Set
(Steel Plates in Mat. DIN ISO 5832-1)**

T 2410 Tray for Dynamic Hip Screw Standard Implant Set (Steel)

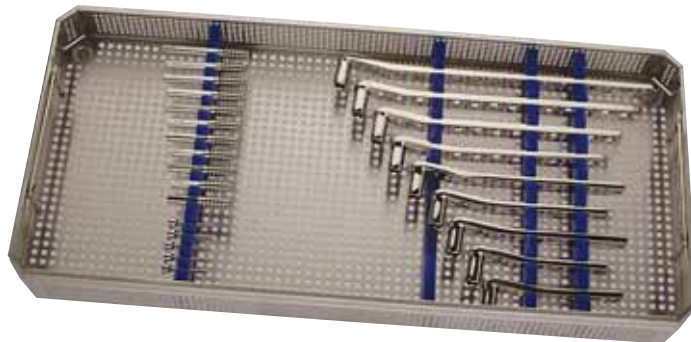
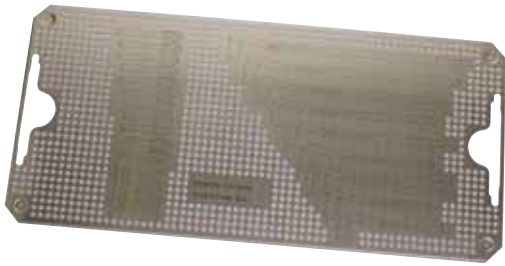
Cat. No.:	Dynamic Lag Screw, Thread Length 22 mm	Pcs.:
2-406	Length 65 mm, Steel	1
2-408	Length 70 mm, Steel	1
2-410	Length 75 mm, Steel	1
2-412	Length 80 mm, Steel	1
2-414	Length 85 mm, Steel	2
2-416	Length 90 mm, Steel	2
2-418	Length 95 mm, Steel	2
2-420	Length 100 mm, Steel	2
2-422	Length 105 mm, Steel	1
2-424	Length 110 mm, Steel	1
2-426	Length 115 mm, Steel	1
<hr/>		
2-440	Compression Screw	3
<hr/>		
Cat. No.:	Dynamic Hip Screw Plates 135°	
2-352	4 Holes, Length 78 mm, Steel	3
2-354	5 Holes, Length 94 mm, Steel	2
2-356	6 Holes, Length 110 mm, Steel	2
<hr/>		
Cat. No.:	Dynamic Hip Screw Plates 150°	
2-382	4 Holes, Length 78 mm, Steel	1
2-384	5 Holes, Length 94 mm, Steel	1
2-386	6 Holes, Length 110 mm, Steel	1



TREU = INSTRUMENTE

Dynamic Condylar Standard Implant Set in Graphic Case

Listing: T 2500 Dynamic Condylar Standard Implant Set
(Steel Plates in Mat. DIN ISO 5832-1)



T 2510 Tray for Dynamic Condylar Standard Implant Set (Steel)



15-1010 Sterilization Container
(recommended)



Dynamic Condylar Standard Implant Set in Graphic Case

**Listing: T 2500 Dynamic Condylar Standard Implant Set
(Steel Plates in Mat. DIN ISO 5832-1)**

T 2510 Tray for Dynamic Condylar Standard Implant Set (Steel)

Cat. No.:	Dynamic Lag Screw, Thread Length 22 mm	Pcs.:
2-400	Length 50 mm, Steel	2
2-402	Length 55 mm, Steel	2
2-404	Length 60 mm, Steel	2
2-406	Length 65 mm, Steel	2
2-408	Length 70 mm, Steel	2
2-410	Length 75 mm, Steel	1
<hr/>		
2-440	Compression Screw	5
<hr/>		
Cat. No.:	Dynamic Condylar Screw Plates 95°	
2-450	6 Holes, Length 100 mm, Steel	2
2-452	8 Holes, Length 130 mm, Steel	2
2-454	10 Holes, Length 163 mm, Steel	2
2-456	12 Holes, Length 198 mm, Steel	1
2-458	14 Holes, Length 225 mm, Steel	1
2-460	16 Holes, Length 260 mm, Steel	1



TREU = INSTRUMENTE

Hip Screw Plates with self compression holes

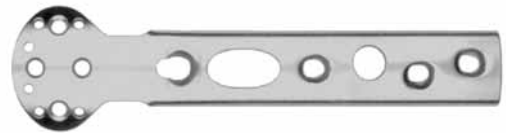


Plates only

Holes	2	4	5	6	8	10	12	14	16
125°		2-334	2-336	2-338					
130°		2-340	2-342	2-344					
135°	2-350	2-352	2-254	2-356	2-358	2-360	2-362	2-364	2-366
140°		2-368	2-370	2-372					
145°		2-374	2-376	2-378					
150°	2-380	2-382	2-384	2-386	2-388	2-390	2-392		



	Barrel 25 mm		
Holes	4	5	6
135°	2-394	2-396	2-398



2-399 Trochanter Plates

Dynamic Lag Screws, thread length 22 mm



Length	50 mm	55 mm	60 mm	65 mm	70 mm	75 mm	80 mm	85 mm	90 mm	95 mm
	2-400	2-402	2-404	2-406	2-408	2-410	2-412	2-414	2-416	2-418
	100 mm	105 mm	110 mm	115 mm	120 mm	125 mm	130 mm	135 mm	140 mm	145 mm
	2-420	2-422	2-424	2-426	2-428	2-430	2-432	2-434	2-436	2-438



2-440 Compression Screw



TREU = INSTRUMENTE



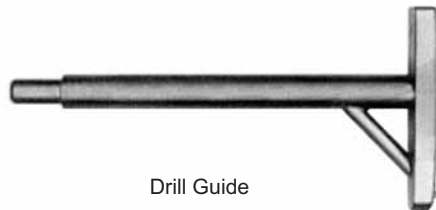
Dynamic Condylar Plates
Plates - 95°, Barrel Length 25 mm

2-450	6	100 mm
2-452	8	130 mm
2-454	10	163 mm
2-456	12	198 mm
2-458	14	225 mm
2-460	16	260 mm
2-462	18	306 mm
2-464	20	338 mm
2-466	22	370 mm



Dynamic Condylar Screw

2-400	50 mm
2-402	55 mm
2-404	60 mm
2-406	65 mm
2-408	70 mm
2-410	75 mm
2-412	80 mm
2-414	85 mm



Drill Guide

2-470	135°
2-472	140°
2-474	145°
2-476	150°



2-488 Triple Reamer complete



TREU = INSTRUMENTE

Smith Peterson Nails



Cannulated to accept a 2.4 mm guide wire

12.7 mm									
60 mm	65 mm	70 mm	75 mm	80 mm	85 mm	90 mm	95 mm	100 mm	105 mm
2-500	2-501	2-502	2-503	2-504	2-505	2-506	2-507	2-508	2-509
110 mm	115 mm	120 mm	125 mm	130 mm	135 mm	140 mm	145 mm	150 mm	
2-510	2-511	2-512	2-513	2-514	2-515	2-516	2-517	2-518	

Mc. Laughlin Plates - including components (2-520)



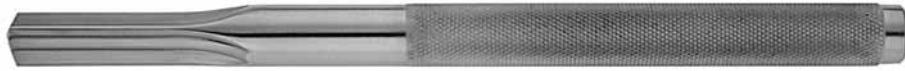
3	5	7	12 holes
2-521	2-522	2-523	2-524



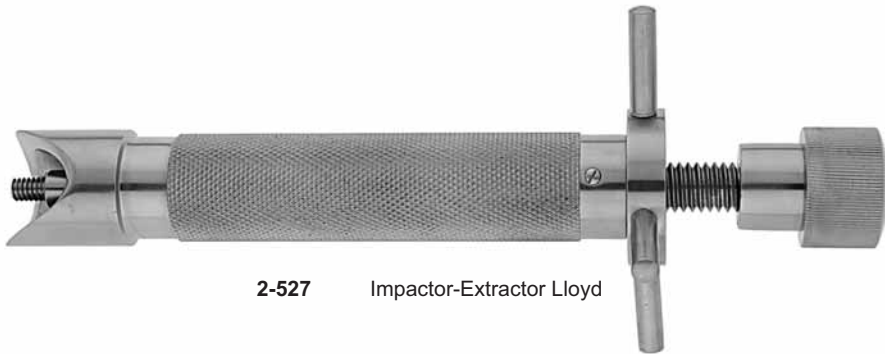
2-520 Components



TREU - INSTRUMENTE



2-526 Nail Starter



2-527 Impactor-Extractor Lloyd



2-528 Impactor-Extractor



2-529 Nail Driver



TREU = INSTRUMENTE

Standard Jewett Nail Heavy Duty 135° angle



3 holes 90 mm Plate length

Nail length

57 mm	63 mm	70 mm	76 mm	82 mm	89 mm	95 mm	102 mm	108 mm	114 mm	121 mm
2-530	2-531	2-532	2-533	2-534	2-535	2-536	2-537	2-538	2-539	2-540

5 holes 130 mm Plate length

Nail length

57 mm	63 mm	70 mm	76 mm	82 mm	89 mm	95 mm	102 mm	108 mm	114 mm	121 mm
2-541	2-542	2-543	2-544	2-545	2-546	2-547	2-548	2-549	2-550	2-551

7 holes 165 mm Plate length

Nail length

57 mm	63 mm	70 mm	76 mm	82 mm	89 mm	95 mm	102 mm	108 mm	114 mm	121 mm
2-552	2-553	2-554	2-555	2-556	2-557	2-558	2-559	2-560	2-561	2-562

10 holes 220 mm Plate length

Nail length

57 mm	63 mm	70 mm	76 mm	82 mm	89 mm	95 mm	102 mm	108 mm	114 mm	121 mm
2-563	2-564	2-565	2-566	2-567	2-568	2-569	2-570	2-571	2-572	2-573

12 holes 260 mm Plate length

Nail length

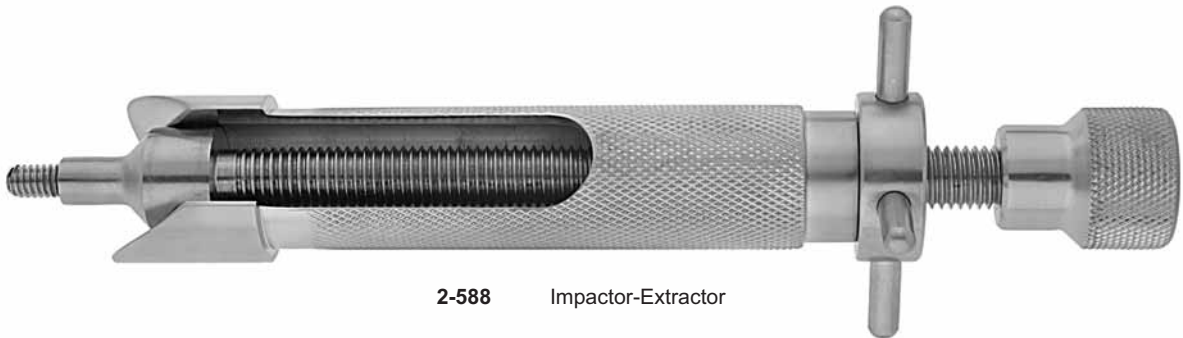
57 mm	63 mm	70 mm	76 mm	82 mm	89 mm	95 mm	102 mm	108 mm	114 mm	121 mm
2-574	2-575	2-576	2-577	2-578	2-579	2-580	2-581	2-582	2-583	2-584



TREU - INSTRUMENTE



2-528 Impactor-Extractor



2-588 Impactor-Extractor



2-526 Nail Starter

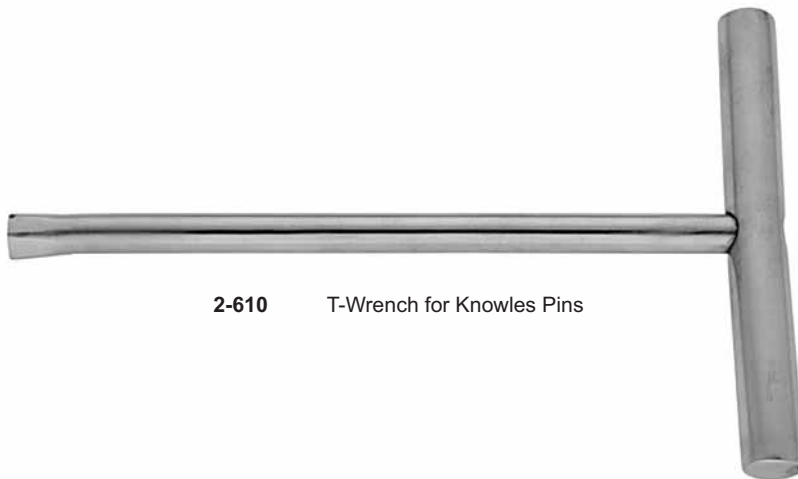


TREU = INSTRUMENTE

Knowles Pins, Overall Length: 178 mm Threaded Length: 32 mm



4.8 mm \varnothing									
57 mm	63 mm	70 mm	76 mm	82 mm	89 mm	95 mm	102 mm	108 mm	114 mm
2-590	2-591	2-592	2-593	2-594	2-595	2-596	2-597	2-598	2-599
121 mm	127 mm	133 mm	140 mm	146 mm	152 mm				
2-600	2-601	2-602	2-603	2-604	2-605				



2-610 T-Wrench for Knowles Pins



TREU = INSTRUMENTE



TREU - INSTRUMENTE

**E.T.S. INTRAMEDULLARY
HIP SCREW SYSTEM
E.T.S. HÜFTKOMPRESSIONSNAGEL**



Rev: 150507



TREU = INSTRUMENTE



TREU = INSTRUMENTE



02-1300 Basic Instrumentation Set Dynamic Hip Compression Nail System 15-1015 Container 15-3012 Einsätze (3 x) / Trays (3 x)

Cat. No.:	Description	Pieces	Kat. Nr.	Beschreibung	Stück
02-1228	E.T.S. - Targeting Device 125° blue	1	02-1228	E.T.S. - Zielaufsatz 125° blau	1
02-1230	E.T.S. - Targeting Device 130° red	1	02-1230	E.T.S. - Zielaufsatz 130° rot	1
02-1232	E.T.S. - Targeting Device 135° green	1	02-1232	E.T.S. - Zielaufsatz 135° grün	1
02-1236	E.T.S. - Stabilizer for Targeting Device with bolts	1	02-1236	E.T.S. - Stabilisator für Zielgerät mit Adaptionsschraube (3 teilig)	1
02-1238	E.T.S. - Drill Sleeve dia. 1,8 mm silver	1	02-1238	E.T.S. - Bohrhülse ø 1,8 mm silber	1
02-1240	E.T.S. - Drill Sleeve dia. 7,5 mm black	1	02-1240	E.T.S. - Bohrhülse ø 7,5 mm schwarz	1
02-1242	E.T.S. - Drill Sleeve dia. 8,0 mm green	1	02-1242	E.T.S. - Bohrhülse ø 8,0 mm grün	1
02-1243	E.T.S. - Drill Sleeve dia. 9,4 mm gold	1	02-1243	E.T.S. - Bohrhülse ø 9,4 mm gold	1
02-1244	E.T.S. - Drill Sleeve dia. 13,0 mm blue	1	02-1244	E.T.S. - Bohrhülse ø 13,0 mm blau	1
1-1910	E.T.S. - Drill Sleeve dia. 8,0 mm green (distal)	1	1-1910	E.T.S. - Bohrhülse für distal ø 8,0 mm grün	1
1-1914	E.T.S. - Drill Sleeve dia. 4,0 mm gold (distal)	1	1-1914	E.T.S. - Bohrhülse für distal ø 4,0 mm gelb	1
02-1248	E.T.S. - Sleeve Reamer dia. 12,75 mm	1	02-1248	E.T.S. - Gleithülsenfräser ø 12,75 mm	1
02-1250	E.T.S. - Tap for Hip Compression Screw	1	02-1250	E.T.S. - Gewindeschneider für Hüftkompressionsplatte	1
02-1252	E.T.S. - Reamer for Hip Compression Screw	1	02-1252	E.T.S. - Vorbohrer für Hüftkompressionsschraube	1
02-12540	E.T.S. - Coupling Screw for insertion of Dynamic Hip Screw	1	02-12540	E.T.S. - Kupplungsschraube für Hüftkompressionsschraube	1
02-1256	E.T.S. - Guide Shaft for coupling	1	02-1256	E.T.S. - Führungsschaft für Kupplungsschraube	1
02-1258	E.T.S. - Wrench for insertion of Dynamic Hip Screw	1	02-1258	E.T.S. - Schraubendreher für Hüftkompressionsschraube	1
2-316	E.T.S. - Coupling Screw for femoral Dynamic Hip Screw	1	2-316	E.T.S. - Verbindungsschraube zu Entfernungs T - Schlüssel	1
2-318	Wrench	1	2-318	Entfernungs T - Schlüssel	1
1-18760	E.T.S. - Guide Pin dia. 1,8 mm length 330 mm	10	1-18760	E.T.S. - Führungsdraht ø 1,8 mm Länge 330 mm	10
02-1262	E.T.S. - Sleeve Impactor for Centering Sleeve insertion	1	02-1262	E.T.S. - Hülseneintreiber für Zentrierhülse	1
02-1264	E.T.S. - Nail Extractor Bolt	1	02-1264	E.T.S. - Ausziehbolzen für Nagel	1
02-1266	E.T.S. - Screw Length Gauge	1	02-1266	E.T.S. - Schraubenmesslehre für Schraubenlängenbestimmung	1
02-1270	E.T.S. - Tapered Reamer cannulated	1	02-1270	E.T.S. - Konische Reibahle	1
02-1272	E.T.S. - Targeting Device for External Guide dia. 2,5 mm	1	02-1272	E.T.S. - Zielaufsatz Anteversionssicherung	1
1-1850	E.T.S. - Universal Socket Wrench	1	1-1850	E.T.S. - Kardanschlüssel SW 17	1
1-1852	E.T.S. - Hex Driver cannulated for dia. 5,0 mm Screws	1	1-1852	E.T.S. - Schraubendreher mit T - Handgriff 3,5 mm	1
1-1858	E.T.S. - Screw Length Gauge	1	1-1858	E.T.S. - Schraubenmessgerät	1
1-1870	E.T.S. - Twist Drill dia. 4,0 mm, length 305 mm	1	1-1870	E.T.S. - Bohrer ø 4,0 mm	1
1-1882	E.T.S. - Open End Wrench SW 17 / 19	1	1-1882	E.T.S. - Gabelschlüssel SW 17 / 14	1
1-1892	E.T.S. - Supine Driver	1	1-1892	E.T.S. - Einschläger	1
1-1898	E.T.S. - Driver / Extractor Tube	1	1-1898	E.T.S. - Extraktionsstange für Schlitzhammer	1
1-1900	E.T.S. - Skin Protector	1	1-1900	E.T.S. - Gewebeschutzblech	1
1-1902	E.T.S. - Curved Awl	1	1-1902	E.T.S. - Pfriem, groß	1
1-1907	E.T.S. - Trocar dia. 8,0 mm	1	1-1907	E.T.S. - Trokar ø 8,0 mm	1
1-1920	E.T.S. - Slotted Hammer, width of the slot 14 mm	1	1-1920	E.T.S. - Schlitzhammer	1
2-322	E.T.S. - Holder	1	2-322	E.T.S. - T - Griff	1
15-3079	Silikon-Matte	1	15-3079	Silikon Mat	1
9-090	E.T.S. Reamer Guide Rod Holder (Jacobs Chuck)	1	9-090	E.T.S. - T-Griff mit Jakobsfutter	1



TREU = INSTRUMENTE

E.T.S / H.T.S - Hip nails E.T.S. / H.T.S. - Hüftnagel



Cat. No.: Kat. Nr.:	ø mm	Length mm Länge mm	Angle Winkel	left / links right / rechts	Name Name
02-0820	10	220	125°		E.T.S.
02-0822	10	220	130°		E.T.S.
02-0824	10	220	135°		E.T.S.
02-0830	11	220	125°		E.T.S.
02-0832	11	220	130°		E.T.S.
02-0834	11	220	135°		E.T.S.
02-0840	12	220	125°		E.T.S.
02-0842	12	220	130°		E.T.S.
02-0844	12	220	135°		E.T.S.
02-0916	10	340	125°	left / links	H.T.S.
02-0918	10	340	125°	right / rechts	H.T.S.
02-0920	10	340	130°	left / links	H.T.S.
02-0922	10	340	130°	right / rechts	H.T.S.
02-0924	10	340	135°	left / links	H.T.S.
02-0926	10	340	135°	right / rechts	H.T.S.
02-0928	10	360	125°	left / links	H.T.S.
02-0930	10	360	125°	right / rechts	H.T.S.
02-0932	10	360	130°	left / links	H.T.S.
02-0934	10	360	130°	right / rechts	H.T.S.
02-0936	10	360	135°	left / links	H.T.S.
02-0938	10	360	135°	right / rechts	H.T.S.
02-0940	10	380	125°	left / links	H.T.S.
02-0942	10	380	125°	right / rechts	H.T.S.
02-0944	10	380	130°	left / links	H.T.S.
02-0946	10	380	130°	right / rechts	H.T.S.
02-0948	10	380	135°	left / links	H.T.S.
02-0950	10	380	135°	right / rechts	H.T.S.
02-0952	10	400	125°	left / links	H.T.S.
02-0954	10	400	125°	right / rechts	H.T.S.
02-0956	10	400	130°	left / links	H.T.S.
02-0958	10	400	130°	right / rechts	H.T.S.
02-0960	10	400	135°	left / links	H.T.S.
02-0962	10	400	135°	right / rechts	H.T.S.



TREU = INSTRUMENTE



02-1220
E.T.S. - Head Bolt (long)
E.T.S. - Verschlußschraube,
hoch



02-1222
E.T.S. - Head Bolt (short)
E.T.S. - Verschlußschraube,
flach



02-1224
E.T.S. - Set Screw
E.T.S. - Klemmschraube
für Gleithülse



02-1226
E.T.S. - Centering Sleeve
E.T.S. - Gleithülse



Cat. No.:	Length mm
2-408	70
2-410	75
2-412	80
2-414	85
2-416	90
2-418	95
2-420	100
2-422	105
2-424	110
2-426	115
2-428	120
2-430	125
2-432	130

Dynamic Compression Screws
thread length 22 mm
Schraube für Hüftschraubenplatte



2-440
Compression Screw
Kompressionsschraube



Cat. No.:	Length mm
1-1782	30
1-1783	35
1-1784	40
1-1785	45
1-1786	50
1-1787	55
1-1788	60

E.T.S. - Locking Screws 5.0 mm
Diameter for Distal Holes
E.T.S. - Distale Verriegelungsschraube,
ø 5,0 mm mit Selbstanschnitt



TREU = INSTRUMENTE



02-1228 E.T.S. - Targeting Device 125° blue
E.T.S. - 125° Zielaufsatz blau



02-1230 E.T.S. - Targeting Device 130° red
E.T.S. - 130° Zielaufsatz rot



02-1232 E.T.S. - Targeting Device 135° green
E.T.S. - 135° Zielaufsatz grün



TREU - INSTRUMENTE



**Stabilizer
Stabilisator**



**Connecting Bolt for Targeting Device
Befestigungsschraube für Zielaufsätze**



**Nail - Adapter Bolt
Nagel - Adaptionsschraube**

02-1236

E.T.S. - Stabilizer for Targeting Device (blue 125°, red 130°, green 135°) with bolts
E.T.S. - Stabilisator für Zielgerät mit Adaptionsschraube (3 teilig)



TREU - INSTRUMENTE



02-1238 E.T.S. - Drill Sleeve ø 1,8 mm silver
E.T.S. - Bohrhülse ø 1,8 mm silber



02-1240 E.T.S. - Drill Sleeve ø 7,5 mm black
E.T.S. - Bohrhülse ø 7,5 mm schwarz



02-1242 E.T.S. - Drill Sleeve ø 8,0 mm green
E.T.S. - Bohrhülse ø 8,0 mm grün



02-1243 E.T.S. - Drill Sleeve ø 9,4 mm gold
E.T.S. - Bohrhülse ø 9,4 mm gold



TREU = INSTRUMENTE



02-1244 E.T.S. - Drill Sleeve ø 13,0 mm blue
E.T.S. - Bohrhülse ø 13,0 mm blau



1-1910 Drill Sleeve ø 8,0 mm green, long for distal
E.T.S. - Bohrbüchse für distal ø 8,0 mm grün



1-1914 Drill Sleeve ø 4,0 mm gold for distal
E.T.S. - Bohrbüchse für distal ø 4,0 mm gold



TREU = INSTRUMENTE



02-1248 E.T.S. - Sleeve Reamer \varnothing 12,75 mm
E.T.S. - Gleithülsenfräser \varnothing 12,75 mm



02-1250 E.T.S. - Tap for Hip Compression Screw
E.T.S. - Gewindeschneider für Hüftkompressionsschraube



02-1252 E.T.S. - Reamer for Hip Compression Screw
E.T.S. - Vorbohrer für Hüftkompressionsschraube



TREU = INSTRUMENTE



02-12540 E.T.S. - Coupling Screw for insertion of Dynamic Hip Screw
E.T.S. - Kuplungsschraube für Hüftkompressionsschraube



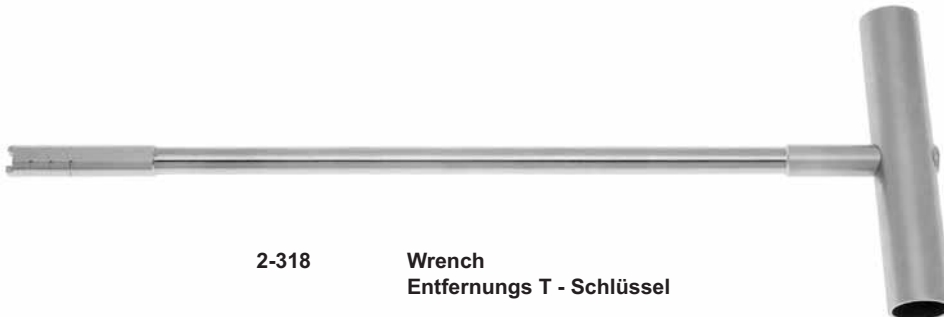
02-1256 E.T.S. - Guide Shaft for coupling
E.T.S. - Führungsschaft für Kuplungsschraube



02-1258 E.T.S. - Wrench for insertion of Dynamic Hip Screw
E.T.S. - Schraubendreher für Hüftkompressionsschraube



2-316 Coupling Screw for Femoral Dynamic Hip Screw
Verbindungsschraube zu Entfernungs T - Schlüssel



2-318 Wrench
Entfernungs T - Schlüssel



TREU - INSTRUMENTE



1-18760 E.T.S. - Guide Pin, \varnothing 1,8 mm, length 330 mm
E.T.S. - Führungsdraht \varnothing 1,8 mm Länge 330 mm



02-1262 E.T.S. - Sleeve Impactor for Centering Sleeve Insertion
E.T.S. - Hülseneintreiber für Zentrierhülse



02-1264 E.T.S. - Nail Extractor Bolt
E.T.S. - Ausziehbolzen für Nagel



02-1266 E.T.S. - Screw Length Gauge
E.T.S. - Schraubenmesslehre für Schraubenlängenbestimmung



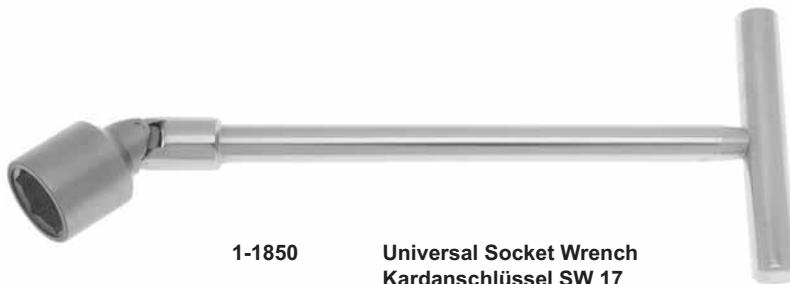
02-1270 E.T.S. - Tapered Reamer Cannulated
E.T.S. - Konische Reibahle



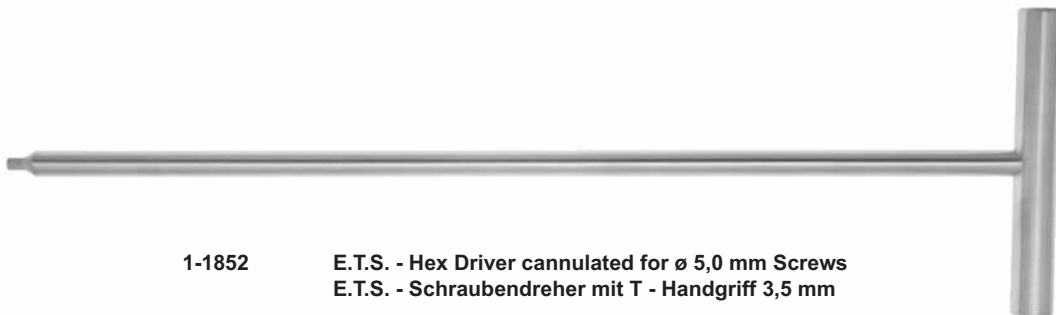
TREU = INSTRUMENTE



02-1272 E.T.S. - Targeting Device for External Guide \varnothing 2,5 mm
E.T.S. Zielaufsatz AnteverSIONssicherung



1-1850 Universal Socket Wrench
Kardanschlüssel SW 17



1-1852 E.T.S. - Hex Driver cannulated for \varnothing 5,0 mm Screws
E.T.S. - Schraubendreher mit T - Handgriff 3,5 mm



TREU - INSTRUMENTE



1-1858 E.T.S. - Screw Length Gauge
E.T.S. - Schraubenmessgerät



1-1870 E.T.S. - Twist Drill \varnothing 4,0 mm, length 305 mm
E.T.S. - Bohrer \varnothing 4,0 mm

1-1873 Guide Rod for IM Nail \varnothing 3,0 mm, length 900 mm
Führungsdraht \varnothing 3,0 mm Länge 900 mm



1-1882 Open End Wrench SW 17 / 14
Gabelschlüssel SW 17 / 14



1-1892 E.T.S. - Supine Drive
E.T.S. - Einschläger



TREU - INSTRUMENTE



1-1898

E.T.S. - Driver / Extractor Tube
E.T.S. - Extraktionsstange für Schlitzhammer



1-1900

E.T.S. - Skin Protector
E.T.S. - Gewebeschutzblech



9-086

E.T.S. - Reamer Guide Rod Holder (Jakobs Chuck)
E.T.S. - T - Griff mit Jakobsfutter

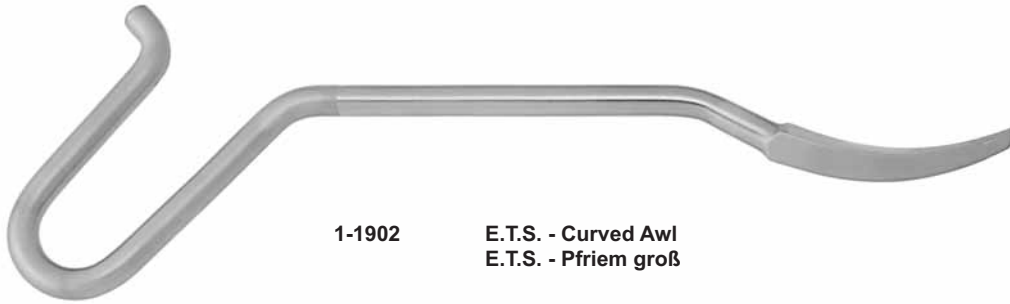


2-322

E.T.S. - Holder
E.T.S. - T - Griff

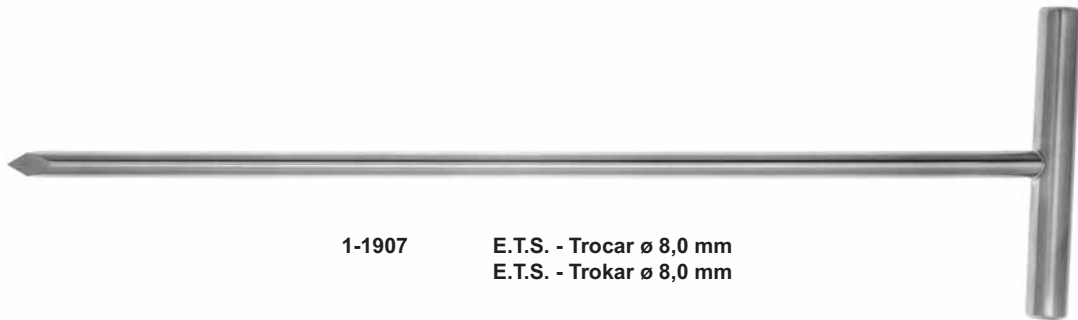


TREU - INSTRUMENTE



1-1902

E.T.S. - Curved Awl
E.T.S. - Pfriem groß



1-1907

E.T.S. - Trocar ø 8,0 mm
E.T.S. - Trokar ø 8,0 mm



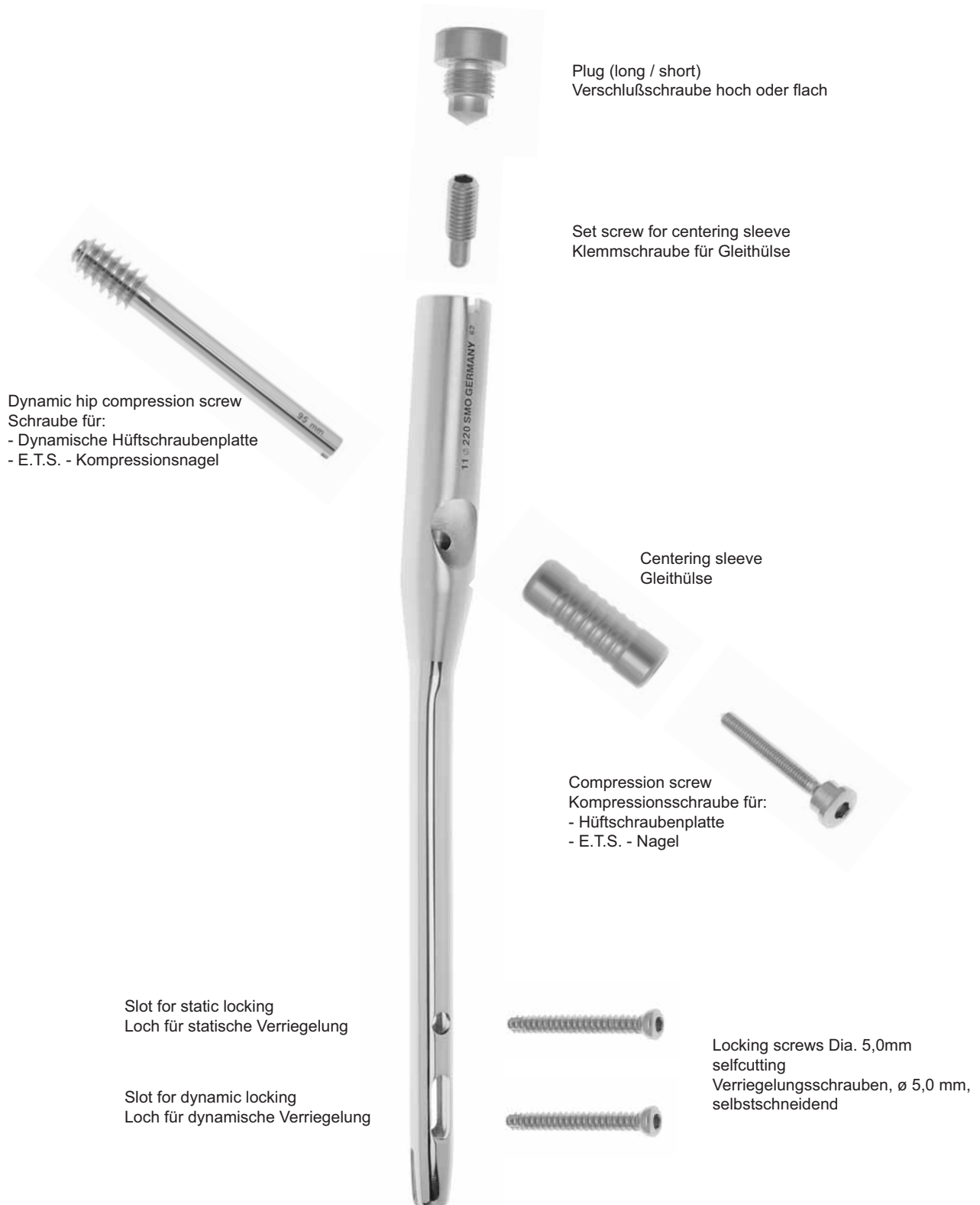
1-1920

E.T.S. - Slotted Hammer - width of the slot 14 mm
E.T.S. - Schlitzhammer



TREU - INSTRUMENTE

Pre - Operative Planning E.T.S. Compression Nail





TREU = INSTRUMENTE